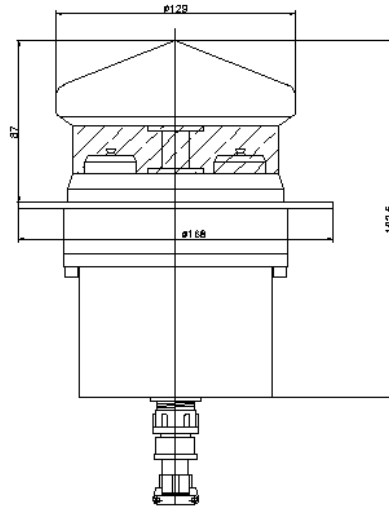


Navigational LED lantern Gotta-NVL(FSN-03MR-B) (for marine, riverine) for use of monitoring aids to navigation on floating warning signs (light buoys and spar buoys) for designation of navigational hazards, indication of ship routing, sea channels and anchoring places at seas, rivers, canals, reservoirs, lakes. Visibility range, glimpse characteristic and the colour of light are determined in accordance with the requirement of the International Association of Lighthouse Authorities (IALA).

Emission colour	Red, Green, White, Yellow, Blue
Range	Up to 7,7 miles
Horizontal angle of emission	360°
Vertical angle of emission	10°
Glimpse feature	IALA recommendation – 256. Customer requested– software adjustable upon order
Emission intensity	Software adjustable
Product average technical lifespan	10 000 hours
Nominal current consumption	120 mA
Operating voltage supply	From +9 to +24V (limited to 5,2+30 V)
Operating temperature range	From –40°C to +40°C, limited to –50°C to +70°C.
Housing material based on operating conditions	- Steel35 with galvanized housing, gloss powder paint - Stainless steel, gloss powder paint - Aluminum, gloss powder paint
Height	193 mm
Width	129 mm
Mass	5 kg
Operating lifetime	5 years
Storage lifetime	5 years
Protection level	IP67
Conformity certificate of State Registry	№ 1310609 from 19.07.2013
Certificate PMPC	№ 13.00453.327 from 30.08.2013
Quality certificate	ISO 9001:2008
Warranty period	12 months
Specifications	HTAB.468230.101
Supplied with	Lantern Gotta-NVL(FSN-03MR-B); Power Cable; Tech. passport



Example of placing an order:  
**«Navigation LED lantern»**

When placing an order please specify the decimal number of the main document, execution number and additional execution number.

**HTAB.468230.101 - XXX.XXX**



Remote control	Ref. Number	Emission colour	Ref.Number
Without remote control	0	White	0
With remote control via radio channel 900MHz	1	Red	1
With remote control via satellite radio channels Globalstar	2	Yellow	2
		Green	3
		Blue	4
GLONASS/NAVSTAR gauges		Visibility range	
Without GLONASS/NAVSTAR	0	Up to 4,5 nautical miles	1
With GLONASS/NAVSTAR	1	Up to 5,4 nautical miles	2
With synchronized flashing characteristics of two or more AtoN	2	Up to 7,7 nautical miles	3
Stand-alone power supply		Housing material	
Without stand-alone power supply	0	Steel 35 with galvanized housing, gloss powder paint	0
With stand-alone power supply	1	Stainless steel, gloss powder paint	1
		Aluminium, gloss powder paint	2